



PROJECT		REF		REV	ITEM CODE	
LOCATION		DATE			PAGE	

**SANITARY WARE SPECIFICATION SHEET**

<p><b>Item Descriptions</b></p> <p>American Standard (PRC) "Pristine E-Bidet" front and rear cleaning hested seat with remote version</p> <p><b>Dimensions</b></p> <p>L535 x W436 x H173 mm</p> <p><b>Model</b></p> <p>CEAS7SR1-0100510H0</p> <p><b>Material</b></p> <p>Plastic</p> <p><b>Manufacturer</b></p> <p>American Standard (PRC)</p> <p><b>Source</b></p> <p>Acme Sanitary Ware Co. Ltd          Mr. Eric Wong/ Mr. Don Yuen</p> <p><b>Contact Tel/Fax</b></p> <p>(852) 2388-7171 / (852) 2710-8012</p> <p><b>E-mail</b></p> <p>acme@acmesanitary.com.hk</p> <p><b>Website</b></p> <p>www.acmesanitary.com.hk</p>	<p><b>Illustration/ Drawing</b></p>
<p><b>FEATURES</b></p> <ul style="list-style-type: none"> <li>Hot water storage type (water tank 0.7L)</li> <li>Self-cleaning dual nozzle with exchangeable nozzle tip</li> <li>Nozzle shutter</li> <li>Anti-bacteria (SIAA) on seat; Anti-bacterial material on cover, nozzle and control panel</li> <li>Warm air dryer</li> <li>Auto deodorization</li> <li>Night light</li> </ul> <p><b>SPECIFICATIONS</b></p> <ul style="list-style-type: none"> <li>Rated Voltage: AC220V 50Hz</li> <li>Rated Power: 300W</li> <li>Operating Temperature Range: 0°C~40°C</li> <li>Water Pressure Range: 0.06MPa (flow pressure)-0.75MPa (static)</li> <li>Shower Water Consumption: 0.25~0.6L/min(6-mode adjustment) when water pressure is 0.2MPa</li> <li>Bidet Water Consumption: 0.45~0.6L/min(6-mode adjustment) when water pressure is 0.2Mpa</li> <li>Hot Water Temperature Range: About 32°C~50°C(6-mode adjustment)</li> <li>Hot Water Heater Power: 250W</li> <li>Dryer Temperature: about 30°C~50°C(4-mode adjustment)</li> </ul>	<p><b>FEATURES</b></p> <ul style="list-style-type: none"> <li>Hot water storage type (water tank 0.7L)</li> <li>Self-cleaning dual nozzle with exchangeable nozzle tip</li> <li>Nozzle shutter</li> <li>Anti-bacteria (SIAA) on seat; Anti-bacterial material on cover, nozzle and control panel</li> <li>Warm air dryer</li> <li>Auto deodorization</li> <li>Night light</li> </ul> <p><b>SPECIFICATIONS</b></p> <ul style="list-style-type: none"> <li>Rated Voltage: AC220V 50Hz</li> <li>Rated Power: 300W</li> <li>Operating Temperature Range: 0°C~40°C</li> <li>Water Pressure Range: 0.06MPa (flow pressure)-0.75MPa (static)</li> <li>Shower Water Consumption: 0.25~0.6L/min(6-mode adjustment) when water pressure is 0.2MPa</li> <li>Bidet Water Consumption: 0.45~0.6L/min(6-mode adjustment) when water pressure is 0.2Mpa</li> <li>Hot Water Temperature Range: About 32°C~50°C(6-mode adjustment)</li> <li>Hot Water Heater Power: 250W</li> <li>Dryer Temperature: about 30°C~50°C(4-mode adjustment)</li> </ul>

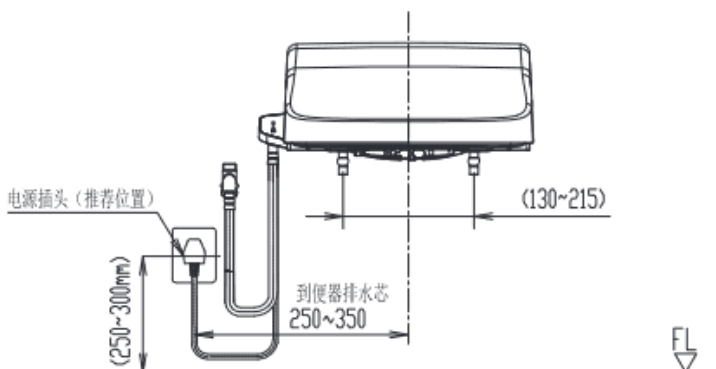
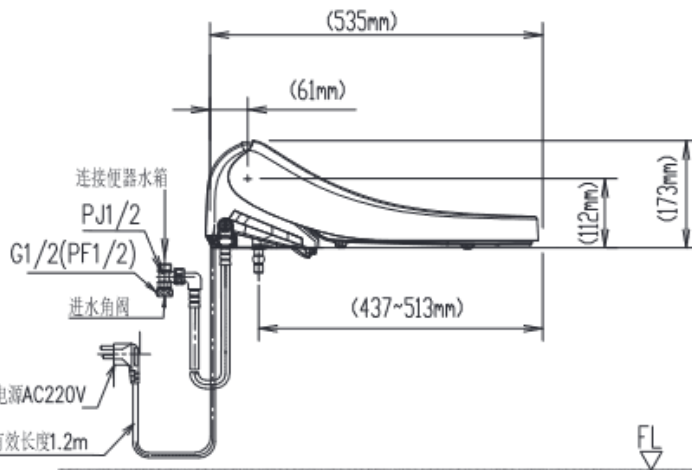
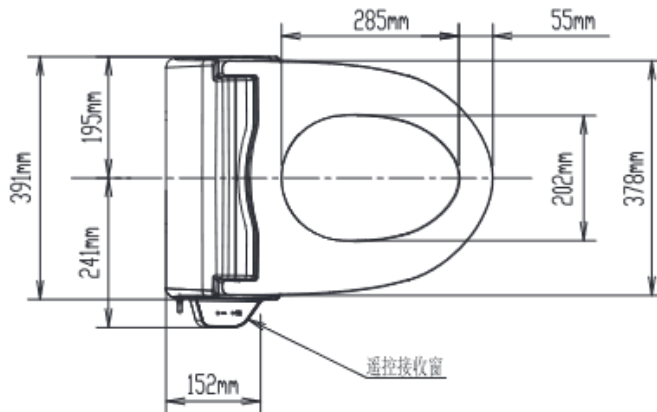
**Note:**

\* All information of the above is for the reference only. No prior notice is made if any changes.



PROJECT		REF		REV	ITEM CODE	
LOCATION		DATE			PAGE	

## SANITARY WARE SPECIFICATION SHEET



### KEY FEATURES AND FUNCTIONS

#### HYGIENIC CLEANSING



##### POSTERIOR CLEANSING

Offers a strong, direct spray for a thorough cleanse.



##### FEMININE AIR BUBBLE SOFT CLEANSING

A gentle flow of warm aerated water provides a soothing shower that's gentle enough for a woman's delicate areas.



##### MASSAGE

The spray alternates between strong and mild sprays, creating a massaging effect that indulges the user.



##### ONE-TOUCH CLEANSING

Suitable for both elderly and children, one-touch cleansing activates the posterior/ feminine cleansing & dryer functions consecutively at a touch of a button.

#### COMFORT TECHNOLOGY



##### HEATED SEAT

Temperature can be easily adjusted for comfort. Setting is computer-memorized and is kept at same setting as previous user.



##### DEODORIZER

The deodorizer is activated as soon as the user is seated.



##### DRYER

Temperature can be easily adjusted for comfort. Computer-memorized settings allows one to keep the same settings as the previous user's.



##### ANTI-BACTERIAL PROTECTION

Anti-bacterial additive is applied to the seat and control panel to effectively inhibit bacteria breeding. Certified to SIAA ISO 22196 standard for anti-bacterial efficacy (seat only).



##### SLOW CLOSING SEAT & COVER

Gentle and quiet closing action.

Note:

\* All information of the above is for the reference only. No prior notice is made if any changes.